

MCI 30 Keyboard



Preh KeyTec GmbH is a leading manufacturer of advanced data input systems on the global market. Their product range comprises modular standard keyboards which are primarily characterized by their high degree of flexibility and their extreme reliability, making them the ideal option for professional applications.

The compact MCI keyboards are cashdesk keyboards for the point of sale. They require little space, are extremely reliable and user-friendly and excel by ergonomic handling and modular flexibility.

Flexibility

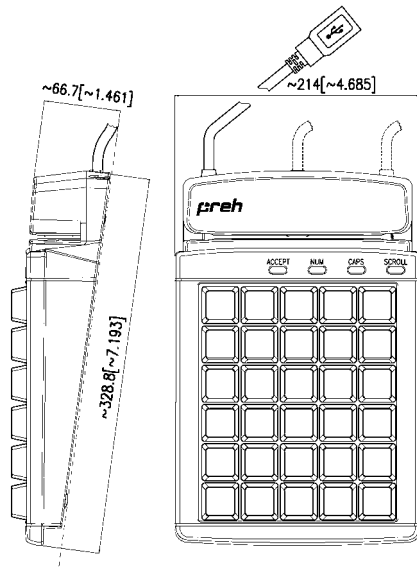
- 30 free-programmable key positions
- Key exchange technique
- Single, double and multiple keys

Options

- 3 track magnetic stripe reader
- Colored keys
- Customized labelling of keys
- OPOS and Java POS drivers

Reliability

- More than 30 million keystrokes for each position
- Front of keypad is protected against dust and splashing water
- Single and multiple keys with equal actuating force



3 track magnetic stripe reader (MSR)



Features

- Numeric layout (6 x 5) with 30 free programmable key positions
- Size: 211 mm x 330 mm (W x D)
- USB interface
- 4 status LEDs
- Menu-driven programmer software
- DOS, Linux and Windows compatibility

Options

- 3 track magnetic stripe reader (MSR)
- PS/2 adapter

MCI 30 with MSR

